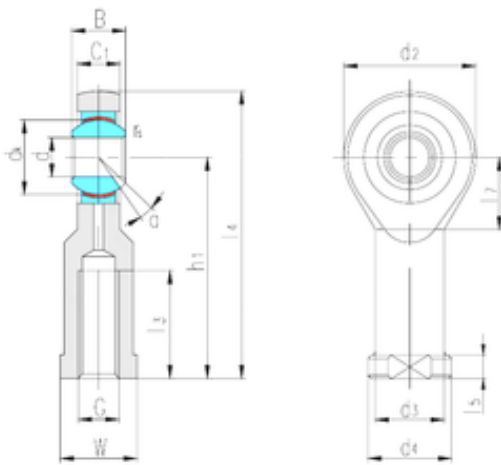




NTN DRIVESHAFT ANDERSON, INC.



LS SIJK6C plain bearings

Bearing No. SIJK6C

Bore Diameter	6 mm
d	6 mm
B	9 mm
d2	20 mm
d3	10 mm
d4	13 mm
dk	12,7 mm
h1	30 mm
l3 min.	9 mm
l4 max.	40 mm
l5	5 mm
l7 min.	11 mm
r min.	0,3 mm
C1	7,5 mm
W	10 mm
Thread (G)	M6
Angle	9 °
Weight	0,025 Kg
Basic dynamic load rating (C)	4,7 kN

SIJK6C Bearing 2D drawings and 3D CAD models