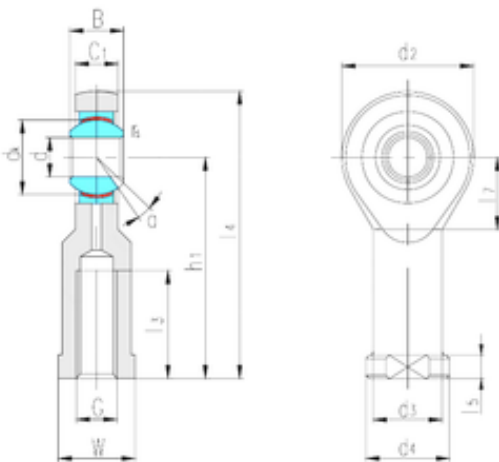




NTN DRIVESHAFT ANDERSON, INC.

LS SIJK14C/B1 plain bearings

Bearing No. SIJK14C/B1



SIJK14C/B1 Bearing 2D drawings and 3D CAD models

Bore Diameter	14 mm
d	14 mm
B	19 mm
d2	38 mm
d3	20 mm
d4	25 mm
dk	25,4 mm
h1	57 mm
l3 min.	21 mm
l4 max.	76 mm
l5	8 mm
l7 min.	20 mm
r min.	0,3 mm
C1	14,5 mm
W	21 mm
Thread (G)	M14 × 1,5
Angle	14 °
Weight	0,2 Kg
Basic dynamic load rating (C)	19 kN