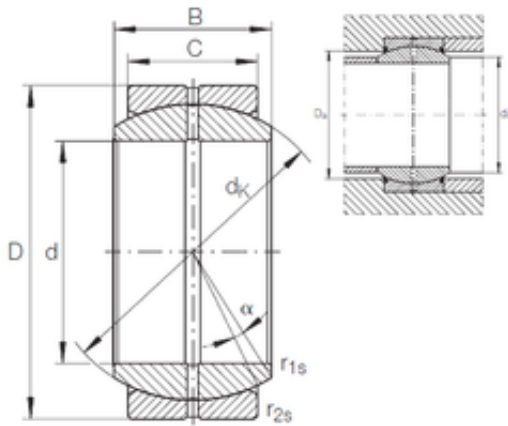




NTN DRIVESHAFT ANDERSON, INC.

15 mm x 26 mm x 12 mm INA GE 15 DO plain bearings



Bearing No. GE 15 DO

Size	15x26x12 mm
Bore Diameter	15 mm
Outer Diameter	26 mm
Width	12 mm
d	15 mm
D	26 mm
B	12 mm
C	9 mm
dk	22 mm
r1 min.	0,3 mm
r2 min.	0,3 mm
da max	18,4 mm
Da min	21 mm
Angle	8 °
Weight	0,027 Kg
Basic dynamic load rating (C)	17 kN

GE 15 DO Bearing 2D drawings and 3D CAD models