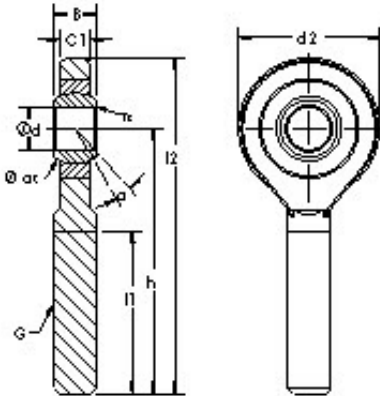




# NTN DRIVESHAFT ANDERSON, INC.



## AST SAZP7S plain bearings

Bearing No. SAZP7S

Bore Diameter	7,9375 mm
Width	11,1 mm
Bearing Type - steel-on-bronze	steelonbronze
Bore Dia (d)	0.3125
Width (B)	0.4370
Radius (min) (rs)	0.012
Dynamic Load Rating (Cr)	1,551
Static Load Rating (Cor)	1,888
Spherical Diameter (dk or Dk)	0.625
Mis-alignment Angle (a deg.)	10
Thread Length (l1)	1.250
Bore Center to End of Rod (h)	1.875
Rod Overall Length (l2)	2.312
Rod End Thickness (C1)	0.344
Thread Size (G) - 5/16-24 UNF	5/1624 UNF
Rod End Width (d2)	0.875
Weight (g)	37.00
Material - Body - Carbon steel-zinc plated, Ball - Hardened chrome steel-chrome plated, Liner	Bronze

SAZP7S Bearing 2D drawings and 3D CAD models