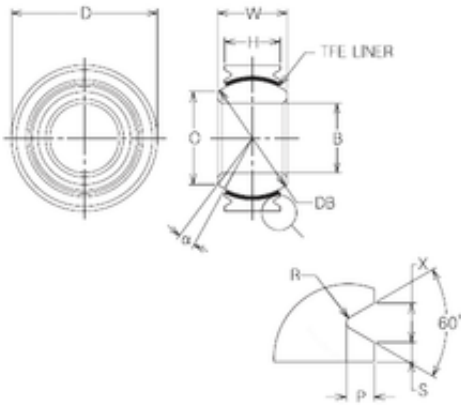




NTN DRIVESHAFT ANDERSON, INC.

20 mm x 36 mm x 20 mm NMB MBT20V plain bearings

Bearing No. MBT20V



MBT20V Bearing 2D drawings and 3D CAD models

Size	20x36x19 mm
Bore Diameter	20 mm
Outer Diameter	36 mm
Width	19 mm
d	20 mm
D	36 mm
B	19 mm
C	15 mm
P	1,5 mm
Db	30,162 mm
X	2 mm
O	23,4 mm
B	20 mm
D	36 mm
H	15 mm
R	0,5 mm
S	0,7 mm
W	19 mm
Angle	9 °
Weight	0,089 Kg
Basic dynamic load rating (C)	81,39 kN
Static load rating radial (C0)	182,4 kN