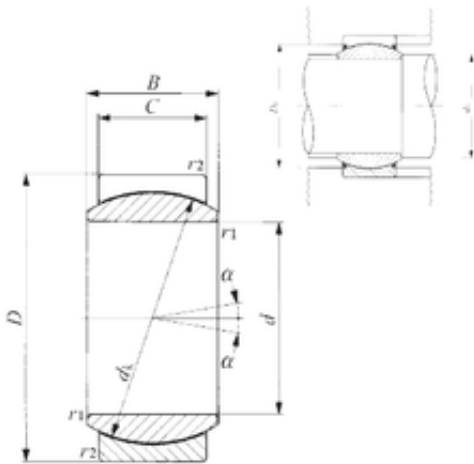




# NTN DRIVESHAFT ANDERSON, INC.

## 30 mm x 47 mm x 22 mm IKO GE 30EC plain bearings



Bearing No. GE 30EC

Size	30x47x22 mm
Bore Diameter	30 mm
Outer Diameter	47 mm
Width	22 mm
d	30 mm
D	47 mm
B	22 mm
C	18 mm
dk	40,7 mm
r1 min.	0,6 mm
r2 min.	0,6 mm
da min.	34 mm
da max	34 mm
Da min	42,5 mm
Da max.	41,5 mm
Angle	6 °
Weight	0,16 Kg
Basic dynamic load rating (C)	71,8 kN

GE 30EC Bearing 2D drawings and 3D CAD models