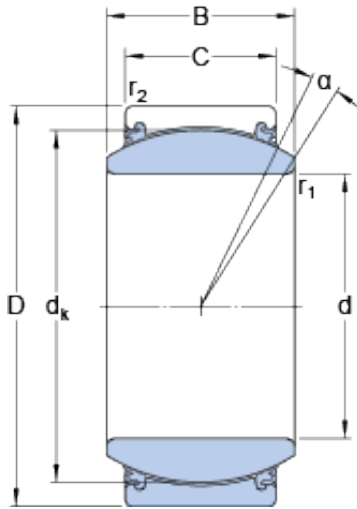




NTN DRIVESHAFT ANDERSON, INC.



38.1 mm x 61.913 mm x 33.325 mm SKF GEZ
108 TXE-2LS plain bearings

Bearing No. GEZ 108 TXE-2LS

GEZ 108 TXE-2LS Bearing 2D drawings and 3D CAD models

Size	61.913x38.1x33.325 mm
Bore Diameter	61,913 mm
Outer Diameter	38,1 mm
Width	33,325 mm
d	38.1 mm
D	61.913 mm
B	33.325 mm
C	28.575 mm
	6 °
dk	54.737 mm
r ₁ - min.	0.6 mm
r ₂ - min.	1 mm
d _a - min.	41.6 mm
d _a - max.	43.4 mm
D _a - min.	55.1 mm
D _a - max.	57.2 mm
r _a - max.	0.6 mm
r _b - max.	1 mm
Basic dynamic load rating - C	186 kN
Basic static load rating - C ₀	375 kN
Specific factor dinamic load - K	150 N/mm ²
Specific factor static load - K ₀	300 N/mm ²
Category	Plain Bearings



NTN DRIVESHAFT ANDERSON, INC.

Inventory	0.0
Manufacturer Name	SKF
Minimum Buy Quantity	N/A
Weight / Kilogram	0
EAN	7316575129453
Product Group	B04264
Lubricant	Maintenance free – dry lubrication
Design (sliding contact surface combination)	Steel/PTFE fabric
Sealing solution	Triple-lip seals
	6 °
d_k	54.737 mm
r_1 min.	0.6 mm
r_2 min.	1 mm
d_a min.	41.6 mm
d_a max.	43.4 mm
D_a min.	55.1 mm
D_a max.	57.2 mm
r_a max.	0.6 mm
r_b max.	1 mm
Basic dynamic load rating C	186 kN
Basic static load rating C_0	375 kN
Specific dynamic load factor K	150 N/mm ²
Specific static load factor K_0	300 N/mm ²
Mass plain bearing	0.41 kg