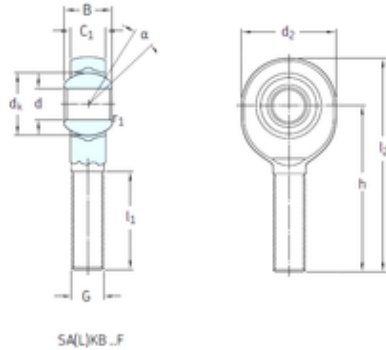




NTN DRIVESHAFT ANDERSON, INC.

SKF SAKB12F plain bearings



Bearing No. SAKB12F

Bore Diameter	12 mm
d	12 mm
d2 max.	33 mm
dk	22,2 mm
h	54 mm
l1 min.	32 mm
l2 max.	72 mm
r1 min.	0,3 mm
B	16 mm
C1 max	12 mm
Thread (G)	M12 Tolerance 6g
Angle	13 °
Weight	0,1 Kg
Basic dynamic load rating (C)	13,2 kN

SAKB12F Bearing 2D drawings and 3D CAD models