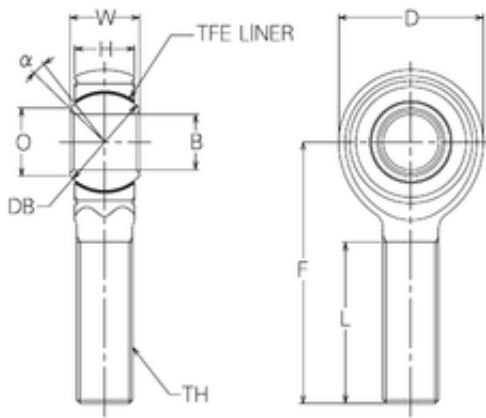




NTN DRIVESHAFT ANDERSON, INC.

25 mm x 70 mm x 25 mm NMB HRT25E plain bearings



Bearing No. HRT25E

Bore Diameter	25 mm
Width	25 mm
d	25 mm
Db	47,62 mm
O	32,3 mm
B	25 mm
D	70 mm
F	105 mm
H	25,3 mm
L	59 mm
W	35 mm
Angle	15 °
Thread (TH)	M24 x 2,0

HRT25E Bearing 2D drawings and 3D CAD models