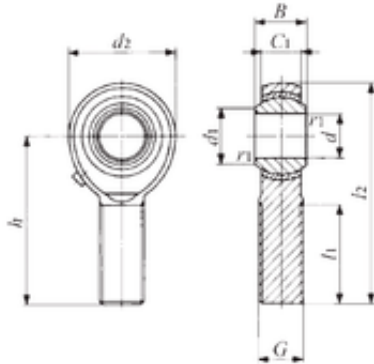




NTN DRIVESHAFT ANDERSON, INC.

IKO POS 30 plain bearings



Bearing No. POS 30

Bore Diameter	30 mm
d	30 mm
L2	145 mm
d1	34,8 mm
d2	70 mm
dk	50,800 / mm
h	110 mm
r1 min.	0,6 mm
B	37 mm
C1	25 mm
L1	66 mm
Thread (G)	M30 × 2
Weight	1,07 Kg
Basic dynamic load rating (C)	62,3 kN

POS 30 Bearing 2D drawings and 3D CAD models