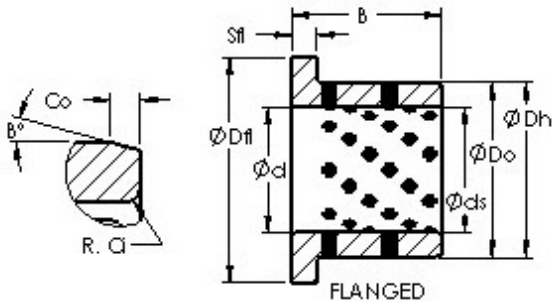




NTN DRIVESHAFT ANDERSON, INC.

AST AST650 F8010060 plain bearings



Bearing No. AST650 F8010060

Bore Diameter	80 mm
Outer Diameter	100 mm
Bearing Type	flanged
Shaft Dia., Nominal (d)	80.0000
Housing Bore Dia. (Dh) - 100 +0.035 / -0	100 +0.035 / 0
Bearing Outside Diameter, Nominal(Do)	100.000
Bearing Outside Diameter Tolerance (Do tol.)	100 +0.035 / +0.013
Bearing Bore after Mounting (di)	80 +0.080 / +0.030
Bearing Length, Nominal (B)	60.000
Bearing Length Tolerance (B tol.) - -0.10 / -0.30	0.10 / 0.30
OD Chamfer Length (Co)	3.000
ID Chamfer Angle (B deg.)	15
ID Chamfer Length (Ci)	1.200
Flange Dia. (Dfl pm 0.5)	120.000
Material	Cast bronze with solid lubricant inserts.

AST650 F8010060 Bearing 2D drawings and 3D CAD models