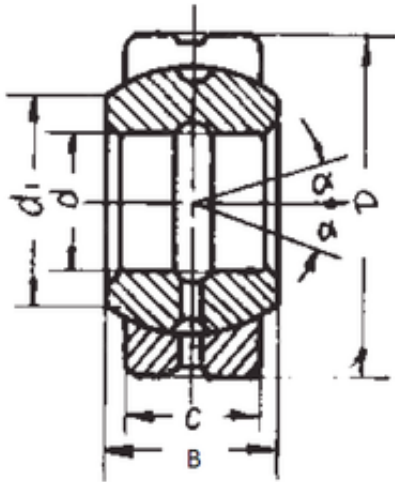




# NTN DRIVESHAFT ANDERSON, INC.



280 mm x 430 mm x 210 mm FBJ GEG280ES  
plain bearings

Bearing No. GEG280ES

Size	280x430x210 mm
Bore Diameter	280 mm
Outer Diameter	430 mm
Width	210 mm
d	280 mm
D	430 mm
B	210 mm
C	120 mm
d1	310 mm
Angle	15 °
Weight	97,21 Kg
Basic dynamic load rating (C)	3800 kN

GEG280ES Bearing 2D drawings and 3D CAD models