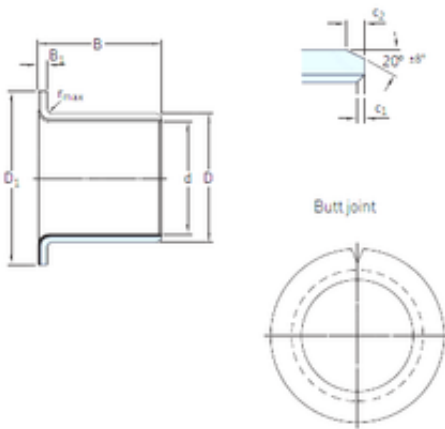




# NTN DRIVESHAFT ANDERSON, INC.

10 mm x 12 mm x 9 mm SKF PCMF 101209 E plain bearings



Bearing No. PCMF 101209 E

PCMF 101209 E Bearing 2D drawings and 3D CAD models

Size	10x12x9 mm
Bore Diameter	10 mm
Outer Diameter	12 mm
Width	9 mm
d	10 mm
D	12 mm
B	9 mm
c1 min	0,1 mm
c2 min	0,2 mm
r max	1 mm
B1	1 mm
D1	18 mm
Weight	0,0036 Kg
Dynamic load rating radial (C)	5,6 kN
Dynamic load rating axial (C)	8 kN
Static load rating radial (C0)	17,6 kN
Category	Plain Bearings
Inventory	0.0
Manufacturer Name	SKF
Minimum Buy Quantity	N/A
Weight / Kilogram	0.003
EAN	7316571886206
Product Group	B04264
D <sub>1</sub>	18 mm



## NTN DRIVESHAFT ANDERSON, INC.

$B_1$	1 mm
$c_1$ min.	0.1 mm
$c_1$ max.	0.6 mm
$c_2$ min.	0.2 mm
$c_2$ max.	1 mm
$\pm 8$	20 °
r max.	1 mm
Tolerance shaft	f7
Tolerance housing	H7
Basic dynamic load rating - radial direction C	5.6 kN
Basic static load rating - radial direction $C_0$	17.6 kN
Basic dynamic load rating - axial direction $C_a$	8 kN
Basic static load rating - axial direction $C_{0a}$	25 kN
Specific dynamic load factor K	80 N/mm <sup>2</sup>
Specific static load factor $K_0$	250 N/mm <sup>2</sup>
Factor depending on material and bearing type $K_M$	480
Permissible sliding velocity v min.	0 m/s
Permissible sliding velocity v max.	2 m/s
Coefficient of friction $\mu$ min.	0.03
Coefficient of friction $\mu$ max.	0.25
Mass bushing	0.0036 kg