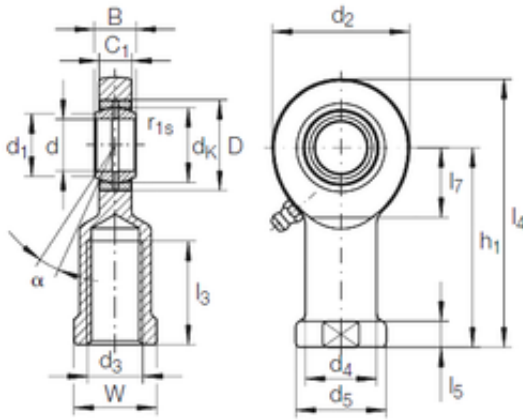




NTN DRIVESHAFT ANDERSON, INC.

40 mm x 62 mm x 28 mm INA GIR 40 DO-2RS
plain bearings



GIR 40 DO-2RS Bearing 2D drawings and 3D CAD models

Bearing No. GIR 40 DO-2RS

Size	40x62x28 mm
Bore Diameter	40 mm
Outer Diameter	62 mm
Width	28 mm
d	40 mm
D	62 mm
B	28 mm
d1	45 mm
d2	92 mm
d4	52 mm
dk	53 mm
h1	142 mm
l3 min.	65 mm
l4 max.	188 mm
l5	18 mm
l7 min.	48 mm
r1 min.	0,6 mm
C1	23 mm
W	55 mm
Thread (G)	M39X3
Angle	7 °
d5	65 r/min
Weight	2 Kg
Basic dynamic load rating (C)	100 kN