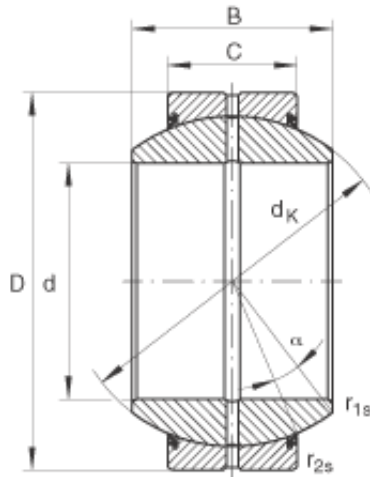




# NTN DRIVESHAFT ANDERSON, INC.



## INA GE30-FO-2RS plain bearings

Bearing No. GE30-FO-2RS

GE30-FO-2RS Bearing 2D drawings and 3D CAD models

Size	30x55x32 mm
Bore Diameter	30 mm
Outer Diameter	55 mm
Width	32 mm
C	20 mm
$D_{a \min}$	44,5 mm
$d_{a \max}$	34,4 mm
$d_K$	47 mm
$r_{1s \min}$	0,6 mm
$r_{2s \min}$	1 mm
alf ( ° )	17
Weight (kg)	0,29
$C_r$ (N)	79900
$C_{Or}$ (N)	400000
Category	Spherical Plain Bearings - Radial
Inventory	0.0
Manufacturer Name	SCHAEFFLER GROUP
Minimum Buy Quantity	N/A
Weight / Kilogram	0.348
EAN	4012802038682
Product Group	B04264
Self Aligning	Yes
Rolling Element	Spherical Plain
Material - Outer Member	Steel
Material - Ball	Steel



## NTN DRIVESHAFT ANDERSON, INC.

Material - Liner	Not Applicable
Relubricatable	Yes
Enclosure	2 Seals
Other Features	2 Piece   Single Axial Split in Outer Ring   Wide Inner Ring with Increased Tilting Angle
Long Description	30MM Bore; 20MM Housing Width; 55MM Outside Diameter; Spherical Plain; Steel Outer Member; Steel Ball; No Liner; 32MM Overall Width; Relubricatable
Inch - Metric	Metric
Category	Plain Bearings Spherical Radial
UNSPSC	31171515
Harmonized Tariff Code	8483.30.80.70
Noun	Bearing
Keyword 3	Spherical
Keyword String	Plain Spherical Radial
Manufacturer URL	<a href="http://www.ina.com">http://www.ina.com</a>
Manufacturer Item Number	GE30FO2RS
Weight / LBS	0.639
Housing Width	0.787 Inch   20 Millimeter
Overall Width	1.26 Inch   32 Millimeter
Bore	1.181 Inch   30 Millimeter
Outside Diameter	2.165 Inch   55 Millimeter