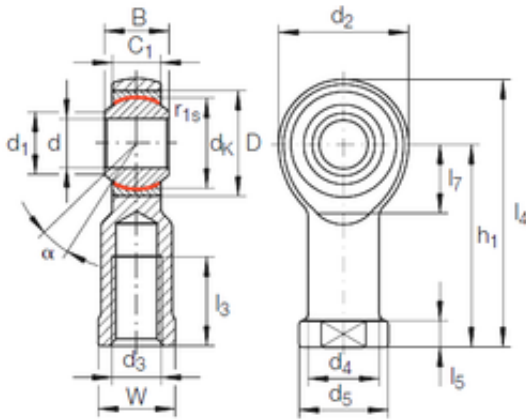




NTN DRIVESHAFT ANDERSON, INC.

5 mm x 13 mm x 8 mm INA GIKL 5 PW plain bearings



GIKL 5 PW Bearing 2D drawings and 3D CAD models

Bearing No. GIKL 5 PW

Size	5x13x8 mm
Bore Diameter	5 mm
Outer Diameter	13 mm
Width	8 mm
d	5 mm
D	13 mm
B	8 mm
d1	7,7 mm
d2	18 mm
d4	8,5 mm
dk	11,112 mm
h1	27 mm
l3 min.	10 mm
l4 max.	36 mm
l5	4 mm
l7 min.	10 mm
r1 min.	0,3 mm
C1	6 mm
W	9 mm
Thread (G)	M 5
Angle	13 °
d5	11 r/min
Weight	0,016 Kg
Basic dynamic load rating (C)	6 kN