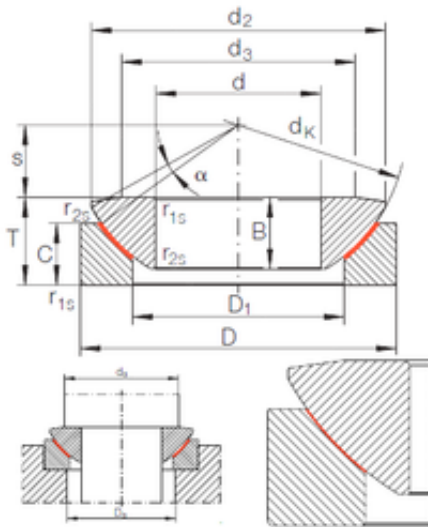




NTN DRIVESHAFT ANDERSON, INC.

35 mm x 90 mm x 22 mm INA GE 35 AW plain bearings

Bearing No. GE 35 AW



GE 35 AW Bearing 2D drawings and 3D CAD models

Size	35x90x28 mm
Bore Diameter	35 mm
Outer Diameter	90 mm
Width	28 mm
d	35 mm
D	90 mm
T	28 mm
B	22 mm
C	20 mm
d2	84 mm
d3	66 mm
dk	98 mm
r1 min.	1 mm
r2 min.	0,3 mm
D1	52 mm
S	22 mm
da max	66 mm
Da min	57 mm
Angle	6 °
Weight	1 Kg
Basic dynamic load rating (C)	777 kN