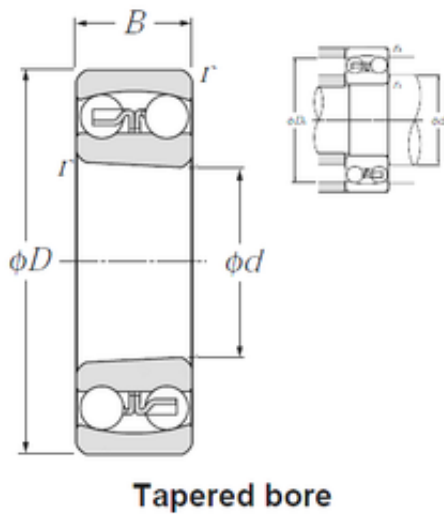




# NTN DRIVESHAFT ANDERSON, INC.



35 mm x 80 mm x 31 mm NTN 2307SK self aligning ball bearings

Bearing No. 2307SK

2307SK Bearing 2D drawings and 3D CAD models

Size	35x80x31 mm
Bore Diameter	35 mm
Outer Diameter	80 mm
Width	31 mm
d	35 mm
D	80 mm
B	31 mm
C	31 mm
r min.	1,5 mm
da min.	43 mm
Da max.	72 mm
ra max.	1,5 mm
Weight	0,642 Kg
Basic dynamic load rating (C)	40 kN
Basic static load rating (C0)	11,3 kN
(Grease) Lubrication Speed	7 100 r/min
(Oil) Lubrication Speed	9 000 r/min
Calculation factor (e)	0,46
Calculation factor (Y0)	1,4
Calculation factor (Y1)	1,4
rs min	1.5 mm
Associated sleeve reference	H2307X
e	0.46
Y1	1.4
Y2	2.1



## NTN DRIVESHAFT ANDERSON, INC.

Y0	1.4
Radial clearance class	CN
Precision class	P0
Mass	0.64 kg
Dynamic load, C	40 kN
Static load, C0	11.3 kN
Nlim (oil)	9,000 rpm
Nlim (grease)	7,100 rpm
Min operating temperature, Tmin	-20 ° C
Max operating temperature, Tmax	120 ° C
da min	43 mm
da max	46 mm
db min	40 mm
Ce min	5 mm
Da max	72 mm
ra max	1.5 mm