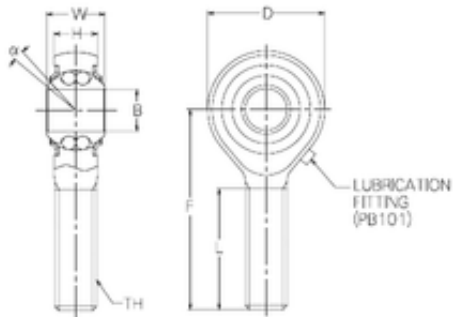




NTN DRIVESHAFT ANDERSON, INC.

10 mm x 28 mm x 10 mm NMB PBR10EFN self aligning ball bearings



Bearing No. PBR10EFN

Bore Diameter	10 mm
d	10 mm
B	10 mm
D	28 mm
F	48 mm
H	10,5 mm
L	29 mm
W	14 mm
Angle	8 °
Thread (TH)	M10 × 1,5
Weight	0,06 Kg
Basic dynamic load rating (C)	4,45 kN

PBR10EFN Bearing 2D drawings and 3D CAD models