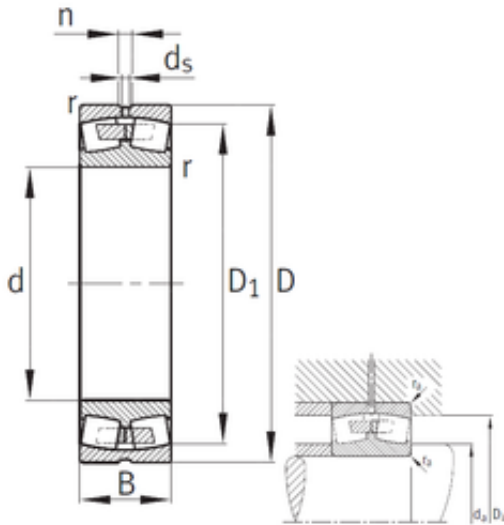




NTN DRIVESHAFT ANDERSON, INC.



260 mm x 440 mm x 144 mm FAG 23152-MB spherical roller bearings

Bearing No. 23152-MB

23152-MB Bearing 2D drawings and 3D CAD models

Size	260x440x144 mm
Bore Diameter	260 mm
Outer Diameter	440 mm
Width	144 mm
d	260 mm
D	440 mm
B	144 mm
C	144 mm
n	17,7 mm
r min.	4 mm
D1	379,7 mm
da min.	277 mm
Da max.	423 mm
ra max.	3 mm
d5	9,5 r/min
Weight	92,5 Kg
Basic dynamic load rating (C)	2200 kN
Basic static load rating (C0)	4000 kN
Fatigue load limit (Pu)	213
Reference speed	850 r/min
Limiting speed	1 200 r/min
Calculation factor (e)	0,33
Calculation factor (Y0)	1,98
Calculation factor (Y1)	2,03