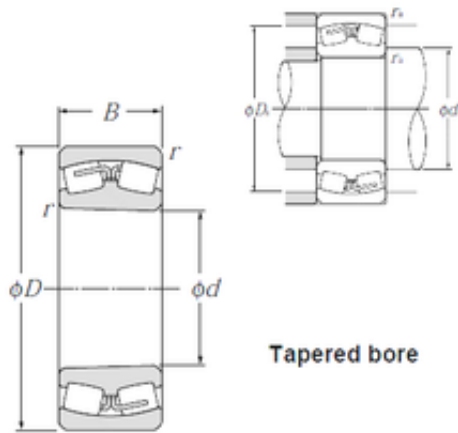




NTN DRIVESHAFT ANDERSON, INC.

130 mm x 200 mm x 52 mm NTN 23026BK spherical roller bearings



Bearing No. 23026BK

Size	130x200x52 mm
Bore Diameter	130 mm
Outer Diameter	200 mm
Width	52 mm
d	130 mm
D	200 mm
B	52 mm
C	52 mm
r min.	2 mm
da min.	140 mm
Da max.	190 mm
ra max.	2 mm
Weight	5,69 Kg
Basic dynamic load rating (C)	375 kN
Basic static load rating (C0)	620 kN
(Grease) Lubrication Speed	1 800 r/min
(Oil) Lubrication Speed	2 300 r/min
Calculation factor (e)	0,26
Calculation factor (Y0)	2,57
Calculation factor (Y1)	2,63

23026BK Bearing 2D drawings and 3D CAD models