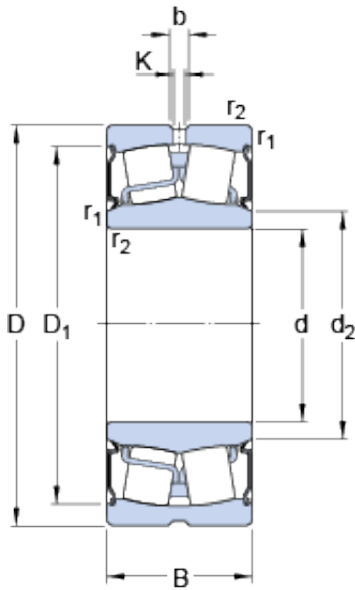




NTN DRIVESHAFT ANDERSON, INC.



75 mm x 160 mm x 64 mm SKF BS2-2315-2RS/VT143 spherical roller bearings

Bearing No. BS2-2315-2RS/VT143

BS2-2315-2RS/VT143 Bearing 2D drawings and 3D CAD models

Size	160x75x64 mm
Bore Diameter	160 mm
Outer Diameter	75 mm
Width	64 mm
d	75 mm
D	160 mm
B	64 mm
d ₂	89.9 mm
D ₁	140 mm
b	8.3 mm
K	4.5 mm
r _{1,2} - min.	2.1 mm
d _a - min.	87 mm
d _a - max.	89.5 mm
D _a - max.	148 mm
r _a - max.	2 mm
Basic dynamic load rating - C	462 kN
Basic static load rating - C ₀	475 kN
Fatigue load limit - P _u	48 kN
Limiting speed	2100 r/min
Calculation factor - e	0.35
Calculation factor - Y ₁	1.9
Calculation factor - Y ₂	2.9
Calculation factor - Y ₀	1.8



NTN DRIVESHAFT ANDERSON, INC.

d_2	89.9 mm
D_1	140 mm
$r_{1,2}$ min.	2.1 mm
d_a min.	87 mm
d_a max.	89.5 mm
D_a max.	148 mm
r_a max.	2 mm
Basic dynamic load rating C	462 kN
Basic static load rating C_0	475 kN
Fatigue load limit P_u	48 kN
Calculation factor e	0.35
Calculation factor Y_1	1.9
Calculation factor Y_2	2.9
Calculation factor Y_0	1.8
Mass bearing	6.5 kg