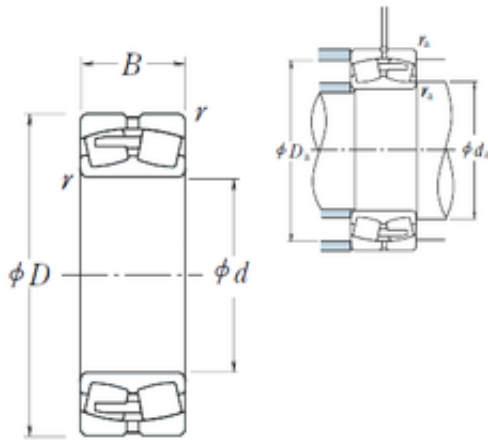




# NTN DRIVESHAFT ANDERSON, INC.

160 mm x 340 mm x 114 mm NSK 22332CAE4 spherical roller bearings



Bearing No. 22332CAE4

22332CAE4 Bearing 2D drawings and 3D CAD models

Size	160x340x114 mm
Bore Diameter	160 mm
Outer Diameter	340 mm
Width	114 mm
d	160 mm
D	340 mm
B	114 mm
C	114 mm
r min.	4 mm
da min.	178 mm
Da min	287 mm
Da max.	322 mm
ra max.	3 mm
Weight	49,3 Kg
Basic dynamic load rating (C)	1360 kN
Basic static load rating (C0)	1900 kN
(Grease) Lubrication Speed	1100 r/min
(Oil) Lubrication Speed	1300 r/min
Calculation factor (e)	0,35
Calculation factor (Y0)	1,9
Calculation factor (Y2)	2,9