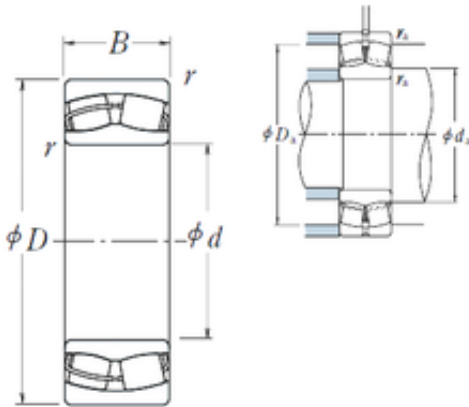




NTN DRIVESHAFT ANDERSON, INC.



140 mm x 225 mm x 85 mm NSK 24128CE4 spherical roller bearings

Bearing No. 24128CE4

24128CE4 Bearing 2D drawings and 3D CAD models

Size	140x225x85 mm
Bore Diameter	140 mm
Outer Diameter	225 mm
Width	85 mm
d	140 mm
D	225 mm
B	85 mm
C	85 mm
r min.	2,1 mm
da min.	152 mm
da max	156 mm
Da min	193 mm
Da max.	213 mm
ra max.	2 mm
Weight	13 Kg
Basic dynamic load rating (C)	670 kN
Basic static load rating (C0)	1160 kN
(Grease) Lubrication Speed	1200 r/min
(Oil) Lubrication Speed	1600 r/min
Calculation factor (e)	0,35
Calculation factor (Y0)	1,9
Calculation factor (Y2)	2,9
Category	Spherical Roller Bearings
Inventory	0.0
Manufacturer Name	NSK



NTN DRIVESHAFT ANDERSON, INC.

Minimum Buy Quantity	N/A
Weight / Kilogram	13
EAN	0029176027802
Product Group	B04311
Internal Clearance	C0-Medium
Mounting Method	Shaft Mount
Rolling Element	Spherical Roller Bearing
Bore Profile	Straight
Cage Material	Steel
Enclosure	Open
Number of Rows of Rollers	Double Row
Relubricatable	Yes
Withdrawal Sleeve	Not Applicable
Inch - Metric	Metric
Long Description	140MM Straight Bore; 225MM Outside Diameter; 85MM Width; C0-Medium Clearance; Shaft Mount; Double Row of Spherical Roller Bearings; Steel Cage Material; Open Enclosure; Relubricatable
Category	Spherical Roller Bearing
UNSPSC	31171510
Harmonized Tariff Code	84823080
Noun	Bearing
Keyword String	Spherical
Manufacturer URL	http://www.nskamericas.com
Manufacturer Item Number	24128CE4
Weight / LBS	13
Adapter Part Number	Not Applicable Inch Not Applicable Millimeter
Width	3.346 Inch 85 Millimeter
Outside Diameter	8.858 Inch 225 Millimeter



NTN DRIVESHAFT ANDERSON, INC.

Bore	5.512 Inch 140 Millimeter
Y3	1.9
hidYobi	24128CE4
LangID	1
Y1	1.9
D_	225
Y2	2.9
Macha rpm	0
B_	85
da min	152
hidTable	ecat_NSSPHR
Oil rpm	1600
Y0	1.9
mass	13
GRS rpm	1200
ra	2
TSR rpm	1600
C0	1160
DE_	202.601
X0	1
Prod_Type3	SRB_CTB_CB
X1	1
X2	0.67
SIR	34
e	0.35
DA_	21
bomp	24128CE4
Z_	22
ALP2	5
ALP1	13
ALP3	0
D_a max	213



NTN DRIVESHAFT ANDERSON, INC.

D_a min	192
yobi	24128CE4
ALPHA_	0.228
SDM_	182.146
r	2.1
KBRG	2322
SBRG	41
DI_	161.691