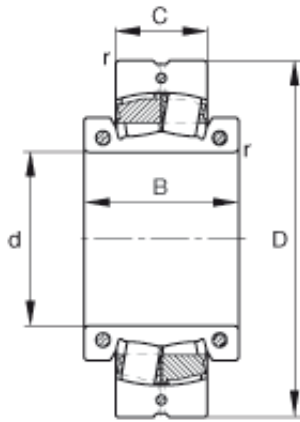




# NTN DRIVESHAFT ANDERSON, INC.



280 mm x 500 mm x 218 mm FAG  
231SM280-MA spherical roller bearings

Bearing No. 231SM280-MA

231SM280-MA Bearing 2D drawings and 3D CAD models

Size	280x500x160 mm
Bore Diameter	280 mm
Outer Diameter	500 mm
Width	160 mm
d	280 mm
D	500 mm
C	160 mm
B	218 mm
$r_{\min}$	5 mm
m	145 kg / Weight
$C_r$	2320000 N / Dynamic load rating (radial)
e	0,29
$Y_1$	2,32
$Y_2$	3,45
$C_{0r}$	3900000 N / Static load rating (radial)
$Y_0$	2,26
$n_G$	485 1/min / Limiting speed
$C_{ur}$	265000 N / Fatigue limit load, radial
$F_{a \max}$	44000 N / Permissible axial load, for inner ring without axial abutment
$M_i$	190 Nm / Tightening torque per clamping screw



## NTN DRIVESHAFT ANDERSON, INC.

$M_a$	120 Nm / Tightening torque per clamping screw
	23160K / Designation, spherical roller bearing, unsplit
- H3160-HG / Adapter sleeve	H3160HG / Adapter sleeve