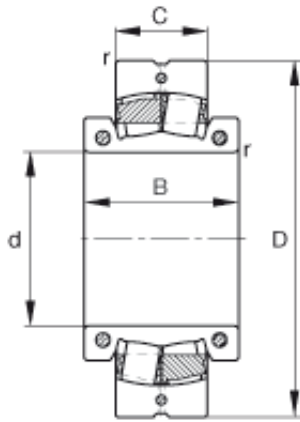




NTN DRIVESHAFT ANDERSON, INC.



240 mm x 480 mm x 200 mm FAG 222SM240-MA spherical roller bearings

Bearing No. 222SM240-MA

222SM240-MA Bearing 2D drawings and 3D CAD models

| | |
|----------------|---|
| Size | 240x480x130 mm |
| Bore Diameter | 240 mm |
| Outer Diameter | 480 mm |
| Width | 130 mm |
| d | 240 mm |
| D | 480 mm |
| C | 130 mm |
| B | 200 mm |
| r_{\min} | 5 mm |
| m | 129 kg / Weight |
| C_r | 1860000 N / Dynamic load rating (radial) |
| e | 0,26 |
| Y_1 | 2,64 |
| Y_2 | 3,93 |
| C_{0r} | 2600000 N / Static load rating (radial) |
| Y_0 | 2,58 |
| n_G | 620 1/min / Limiting speed |
| C_{ur} | 157000 N / Fatigue limit load, radial |
| $F_{a \max}$ | 60000 N / Permissible axial load, for inner ring without axial abutment |
| M_i | 295 Nm / Tightening torque per clamping screw |
| | |



NTN DRIVESHAFT ANDERSON, INC.

| | |
|-------|---|
| M_a | 120 Nm / Tightening torque per clamping screw |
| | 22252K / Designation, spherical roller bearing, unsplit |