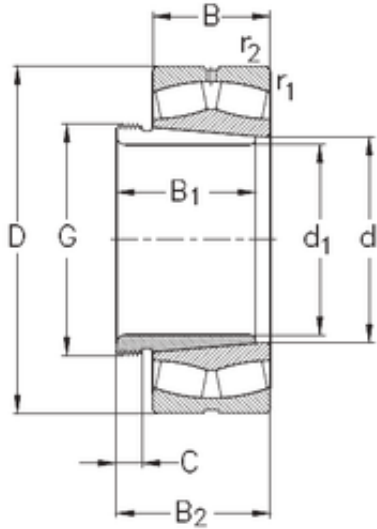




NTN DRIVESHAFT ANDERSON, INC.



320 mm x 480 mm x 160 mm NKE
 24064-K30-MB-W33+AH24064 spherical roller bearings

Bearing No. 24064-K30-MB-W33+AH24064

24064-K30-MB-W33+AH24064 Bearing 2D drawings and 3D CAD models

Size	320x480x160 mm
Bore Diameter	320 mm
Outer Diameter	480 mm
Width	160 mm
d	320 mm
d1	300 mm
D	480 mm
B	160 mm
C	160 mm
r1 min.	4 mm
r2 min.	4 mm
B1	184 mm
B2	202 mm
C	24 mm
Thread (G)	Tr 330x5
Weight	139,6 Kg
Basic dynamic load rating (C)	2486 kN
Basic static load rating (C0)	5138 kN
Limiting speed	1200 r/min
Calculation factor (e)	0,32
Calculation factor (Y0)	2,07
Calculation factor (Y1)	2,12