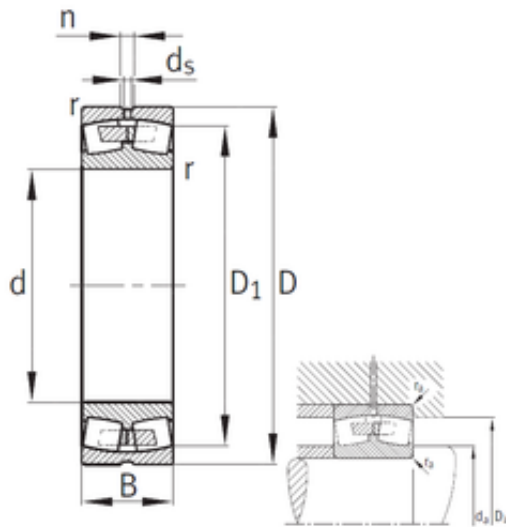




## NTN DRIVESHAFT ANDERSON, INC.



280 mm x 420 mm x 140 mm FAG 24056-B-MB  
spherical roller bearings

Bearing No. 24056-B-MB

Size	280x420x140 mm
Bore Diameter	280 mm
Outer Diameter	420 mm
Width	140 mm
d	280 mm
D	420 mm
B	140 mm
C	140 mm
n	12,2 mm
r min.	4 mm
D1	369,5 mm
da min.	294,6 mm
Da max.	405,4 mm
ra max.	3 mm
d5	6,3 r/min
Weight	70,8 Kg
Basic dynamic load rating (C)	2000 kN
Basic static load rating (C0)	4000 kN
Fatigue load limit (Pu)	225
Reference speed	810 r/min
Limiting speed	1 100 r/min
Calculation factor (e)	0,33
Calculation factor (Y0)	2
Calculation factor (Y1)	2,04

24056-B-MB Bearing 2D drawings and 3D CAD models