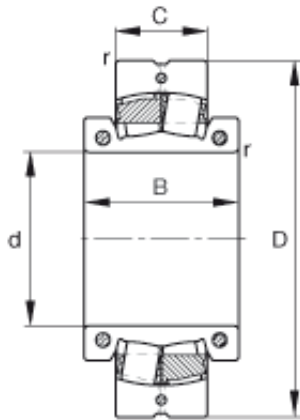




NTN DRIVESHAFT ANDERSON, INC.



9 1/2 inch x 400 mm x 160 mm FAG 230S.908
spherical roller bearings

Bearing No. 230S.908

230S.908 Bearing 2D drawings and 3D CAD models

Size	241.3x400x104 mm
Bore Diameter	241,3 mm
Outer Diameter	400 mm
Width	104 mm
d	241,3 mm
d	9 1/2 inch
D	400 mm
C	104 mm
B	160 mm
r_{\min}	4 mm
m	56,8 kg / Weight
C_r	1220000 N / Dynamic load rating (radial)
e	0,22
Y_1	3,04
Y_2	4,53
C_{0r}	2120000 N / Static load rating (radial)
Y_0	2,97
n_G	690 1/min / Limiting speed
C_{ur}	177000 N / Fatigue limit load, radial
$F_{a \max}$	32000 N / Permissible axial load, for inner ring without axial abutment
M_i	120 Nm / Tightening torque



NTN DRIVESHAFT ANDERSON, INC.

	per clamping screw
M_a	69 Nm / Tightening torque per clamping screw
	23052K / Designation, spherical roller bearing, unsplit
	H3052X.908
SNP3052.908	Designation, adapter sleeve, US design