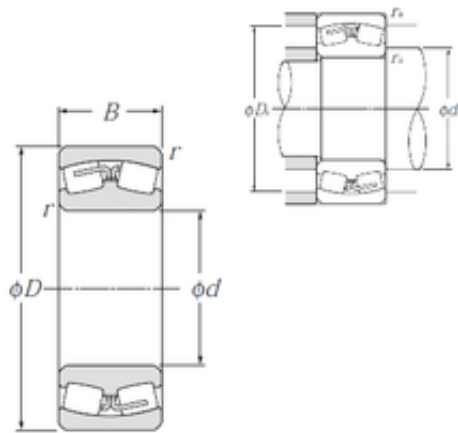




NTN DRIVESHAFT ANDERSON, INC.

190 mm x 340 mm x 120 mm NTN 23238B spherical roller bearings



Bearing No. 23238B

23238B Bearing 2D drawings and 3D CAD models

Size	190x340x120 mm
Bore Diameter	190 mm
Outer Diameter	340 mm
Width	120 mm
d	190 mm
D	340 mm
B	120 mm
C	120 mm
r min.	4 mm
da min.	208 mm
Da max.	322 mm
ra max.	3 mm
Weight	47,6 Kg
Basic dynamic load rating (C)	1 400 kN
Basic static load rating (C0)	2 330 kN
(Grease) Lubrication Speed	920 r/min
(Oil) Lubrication Speed	1 200 r/min
Calculation factor (e)	0,36
Calculation factor (Y0)	1,85
Calculation factor (Y1)	1,89
Category	Bearings
Inventory	0.0
Manufacturer Name	NTN
Minimum Buy Quantity	N/A
Weight / Kilogram	47.2



NTN DRIVESHAFT ANDERSON, INC.

EAN	4547359286069
Product Group	B04311