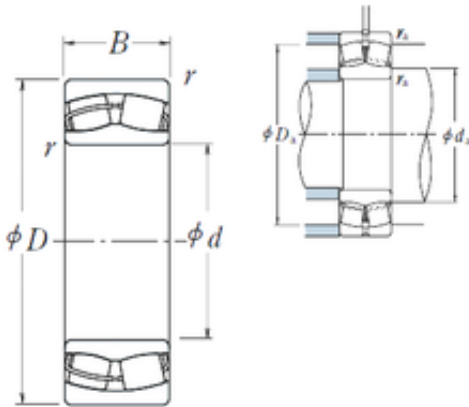




NTN DRIVESHAFT ANDERSON, INC.



160 mm x 240 mm x 60 mm NSK 23032CDE4 spherical roller bearings

Bearing No. 23032CDE4

23032CDE4 Bearing 2D drawings and 3D CAD models

Size	160x240x60 mm
Bore Diameter	160 mm
Outer Diameter	240 mm
Width	60 mm
d	160 mm
D	240 mm
B	60 mm
C	60 mm
r min.	2,1 mm
da min.	172 mm
da max	179 mm
Da min	216 mm
Da max.	228 mm
ra max.	2 mm
Weight	9,66 Kg
Basic dynamic load rating (C)	540 kN
Basic static load rating (C0)	955 kN
(Grease) Lubrication Speed	1300 r/min
(Oil) Lubrication Speed	1700 r/min
Calculation factor (e)	0,22
Calculation factor (Y0)	2,9
Calculation factor (Y2)	4,5
Category	Spherical Roller Bearings
Inventory	0.0
Manufacturer Name	NSK



NTN DRIVESHAFT ANDERSON, INC.

Minimum Buy Quantity	N/A
Weight / Kilogram	9.5
EAN	0029176027420
Product Group	B04311
Internal Clearance	C0-Medium
Mounting Method	Shaft Mount
Rolling Element	Spherical Roller Bearing
Bore Profile	Straight
Cage Material	Steel
Enclosure	Open
Number of Rows of Rollers	Double Row
Relubricatable	Yes
Withdrawal Sleeve	Not Applicable
Inch - Metric	Metric
Long Description	160MM Straight Bore; 240MM Outside Diameter; 60MM Width; C0-Medium Clearance; Shaft Mount; Double Row of Spherical Roller Bearings; Steel Cage Material; Open Enclosure; Relubricatable
Category	Spherical Roller Bearing
UNSPSC	31171510
Harmonized Tariff Code	84823080
Noun	Bearing
Keyword String	Spherical
Manufacturer URL	http://www.nskamericas.com
Manufacturer Item Number	23032CDE4
Weight / LBS	9.5
Outside Diameter	9.449 Inch 240 Millimeter
Bore	6.299 Inch 160 Millimeter
Width	2.362 Inch 60 Millimeter
Adapter Part Number	Not Applicable Inch Not



NTN DRIVESHAFT ANDERSON, INC.

	Applicable Millimeter
bore diameter:	160 mm
maximum rpm:	1700 RPM
outside diameter:	240 mm
operating temperature range:	Maximum of +200 ° C
overall width:	60 mm
cage material:	Steel
bore type:	Straight
bearing material:	Steel
outer ring type:	Not Split
cage type:	Inner Ring Guided
internal clearance:	C0
precision rating:	RBEC 1 (ISO Class Normal)
closure type:	Open
finish/coating:	Uncoated
lubrication hole type:	Lubrication Groove & Hole
outer ring width:	60 mm
dynamic load capacity:	540000 N
fillet radius:	2.1 mm
static load capacity:	955000 N
series:	230
Y3	3
hidYobi	23032CDE4
LangID	1
Y1	3
D_	240
Y2	4.5
Macha rpm	0
B_	60
da min	172
hidTable	ecat_NSSPHR



NTN DRIVESHAFT ANDERSON, INC.

Oil rpm	1700
Y0	2.9
mass	9.66
GRS rpm	1300
ra	2
TSR rpm	2400
C0	955
DE_	220.551
X0	1
Prod_Type3	SRB_CTB_CB
X1	1
X2	0.67
SIR	24
e	0.22
DA_	19.5
bomp	23032CDE4
Z_	27
ALP2	30
ALP1	8
ALP3	0
D_a max	228
D_a min	216
yobi	23032CDE4
ALPHA_	0.148
SDM_	201.265
r	2.1
KBRG	2321
SBRG	30
DI_	181.979