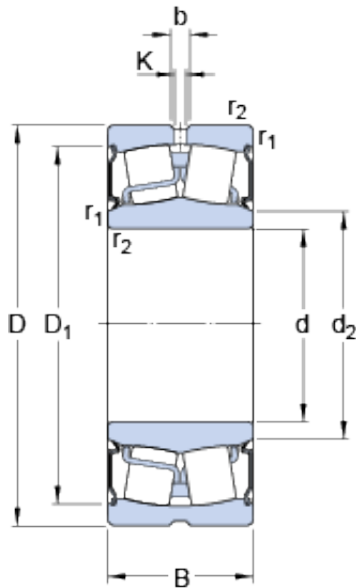




NTN DRIVESHAFT ANDERSON, INC.



110 mm x 200 mm x 63 mm SKF
BS2-2222-2RS5/VT143 spherical roller bearings

Bearing No. BS2-2222-2RS5/VT143

BS2-2222-2RS5/VT143 Bearing 2D drawings and 3D CAD models

Size	200x110x63 mm
Bore Diameter	200 mm
Outer Diameter	110 mm
Width	63 mm
d	110 mm
D	200 mm
B	63 mm
d ₂	126 mm
D ₁	183 mm
b	8.3 mm
K	4.5 mm
r _{1,2} - min.	2.1 mm
d _a - min.	122 mm
d _a - max.	126 mm
D _a - max.	188 mm
r _a - max.	2 mm
Basic dynamic load rating - C	572 kN
Basic static load rating - C ₀	640 kN
Fatigue load limit - P _u	63 kN
Limiting speed	1500 r/min
Calculation factor - e	0.25
Calculation factor - Y ₁	2.7
Calculation factor - Y ₂	4
Calculation factor - Y ₀	2.5



NTN DRIVESHAFT ANDERSON, INC.

d_2	126 mm
D_1	183 mm
$r_{1,2}$ min.	2.1 mm
d_a min.	122 mm
d_a max.	126 mm
D_a max.	188 mm
r_a max.	2 mm
Basic dynamic load rating C	572 kN
Basic static load rating C_0	640 kN
Fatigue load limit P_u	63 kN
Calculation factor e	0.25
Calculation factor Y_1	2.7
Calculation factor Y_2	4
Calculation factor Y_0	2.5
Mass bearing	7.6 kg