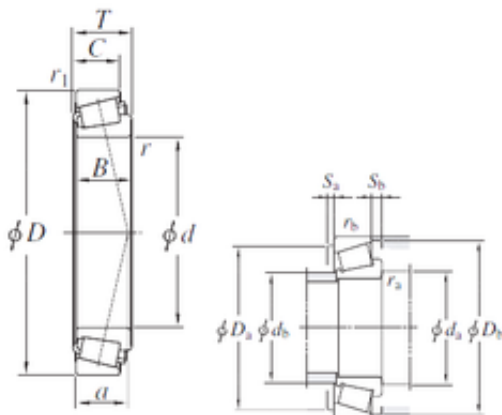




# NTN DRIVESHAFT ANDERSON, INC.

749,3 mm x 990,6 mm x 160,338 mm KOYO  
LM283649/LM283610 tapered roller bearings

Bearing No. LM283649/LM283610



LM283649/LM283610 Bearing 2D drawings and 3D  
CAD models

Size	749.3x990.6x159.5 mm
Bore Diameter	749,3 mm
Outer Diameter	990,6 mm
Width	159,5 mm
d	749,3 mm
D	990,6 mm
T	159,5 mm
B	160,338 mm
C	123 mm
a	261,4 mm
r min.	6,4 mm
r1 min.	6,4 mm
da min.	775 mm
Da min	930 mm
Da max.	960 mm
db max.	800 mm
ra max.	6,4 mm
rb max.	6,4 mm
Db	950 mm
Weight	327 Kg
Basic dynamic load rating (C)	4580 kN
Basic static load rating (C0)	11900 kN
Calculation factor (e)	0,32
Calculation factor (Y0)	1,04