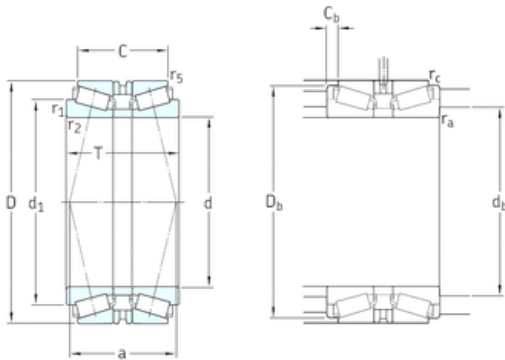




NTN DRIVESHAFT ANDERSON, INC.



SKF 32044T165X/DB42C220 tapered roller bearings

Bearing No. 32044T165X/DB42C220

32044T165X/DB42C220 Bearing 2D drawings and 3D CAD models

Size	220x340x165 mm
Bore Diameter	220 mm
Outer Diameter	340 mm
Width	165 mm
d	220 mm
D	340 mm
T	165 mm
C	127 mm
a	157 mm
d1	280 mm
r1 min.	4 mm
r2 min.	4 mm
r5 min.	1 mm
Cb min.	19 mm
db min	236 mm
Db min.	326 mm
ra max.	3 mm
rc max.	1 mm
Weight	52 Kg
Basic dynamic load rating (C)	1540 kN
Basic static load rating (C0)	3350 kN
Fatigue load limit (Pu)	300
Reference speed	1000 r/min
Limiting speed	1700 r/min
Calculation factor (e)	0,43



NTN DRIVESHAFT ANDERSON, INC.

Calculation factor (Y0)	1,6
Calculation factor (Y1)	1,6