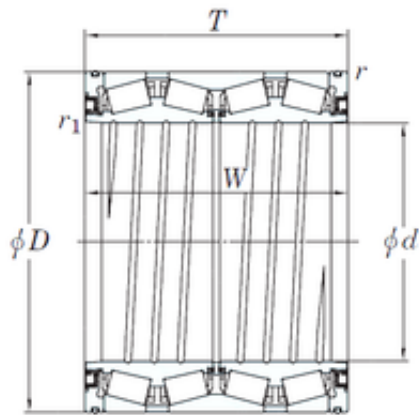




NTN DRIVESHAFT ANDERSON, INC.

KOYO 47TS382719A tapered roller bearings



Bearing No. 47TS382719A

Size	190.5x266.7x188.913 mm
Bore Diameter	190,5 mm
Outer Diameter	266,7 mm
Width	188,913 mm
d	190,5 mm
D	266,7 mm
T	188,913 mm
r min.	3,2 mm
r1 min.	1 mm
W	187,325 mm
Weight	27,6 Kg
Basic dynamic load rating (C)	1060 kN
Basic static load rating (C0)	2270 kN
Calculation factor (e)	0,46
Calculation factor (Y2)	1,47

47TS382719A Bearing 2D drawings and 3D CAD models