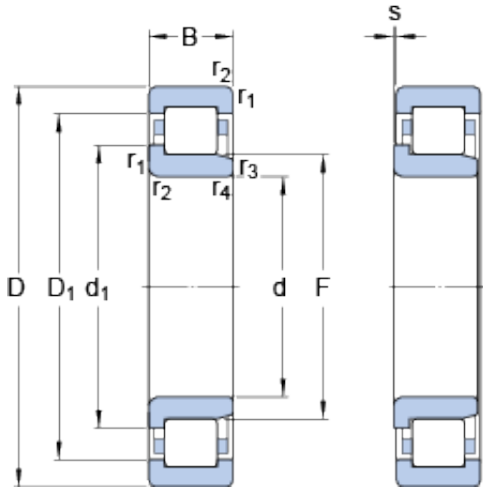




NTN DRIVESHAFT ANDERSON, INC.



50 mm x 110 mm x 27 mm SKF NJ 310 ECP thrust ball bearings

Bearing No. NJ 310 ECP

NJ 310 ECP Bearing 2D drawings and 3D CAD models

Size	110x50x27 mm
Bore Diameter	110 mm
Outer Diameter	50 mm
Width	27 mm
d	50 mm
D	110 mm
B	27 mm
d ₁	71.2 mm
D ₁	91.4 mm
F	65 mm
r _{1,2} - min.	2 mm
r _{3,4} - min.	2 mm
s	1.9 mm
d _a - min.	60 mm
d _a - max.	63 mm
d _b - min.	73 mm
D _a - max.	99.6 mm
r _a - max.	2 mm
Basic dynamic load rating - C	127 kN
Basic static load rating - C ₀	112 kN
Fatigue load limit - P _u	15 kN
Reference speed	6700 r/min
Limiting speed	8000 r/min
Calculation factor - k _r	0.15



NTN DRIVESHAFT ANDERSON, INC.

Category	Cylindrical Roller Bearings
Inventory	0.0
Manufacturer Name	SKF
Minimum Buy Quantity	N/A
Weight / Kilogram	1.204
EAN	7316577028457
Product Group	B04144
Bore Profile	Straight
Cage Material	Polymer
Precision Class	RBEC 1 ISO P0
Number of Rows of Rollers	Single Row
Separable	Inner Ring - One Side
Rolling Element	Cylindrical Roller Bearing
Profile	Complete with Outer and Inner Ring
Snap Ring	No
Internal Clearance	C0-Medium
Retainer	Yes
Relubricatable	Yes
Inch - Metric	Metric
Other Features	High Capacity 1 Rib Inner Ring 2 Rib Outer Ring Cage on Outer Ring ID
Long Description	50MM Bore; Straight Bore Profile; 110MM Outside Diameter; 27MM Width; Polymer Cage Material; RBEC 1 ISO P0; Single Row; Inner Ring - One Side Separable; No Snap Ring; Relubricatable; C0-Medium Inte
Category	Cylindrical Roller Bearing
UNSPSC	31171547
Harmonized Tariff Code	8482.50.00.00
Noun	Bearing



NTN DRIVESHAFT ANDERSON, INC.

Manufacturer URL	http://www.skf.com
Manufacturer Item Number	NJ 310 ECP
Weight / LBS	2.652
Outside Diameter	4.331 Inch 110 Millimeter
Bore	1.969 Inch 50 Millimeter
Width	1.063 Inch 27 Millimeter
bore diameter:	50 mm
precision rating:	RBEC 1 (ISO Class Normal)
outside diameter:	110 mm
maximum rpm:	8000 RPM
overall width:	27 mm
bearing material:	Steel
flanges:	(2) Outer Ring, (1) Inner Ring
cage material:	Polyamide
bore type:	Straight
finish/coating:	Uncoated
number of rows:	1
closure type:	Open
internal clearance:	C0
application:	Piston Type Machines, Rolling Mills, Spindles/Machine Tools
ring separation:	Separable Ring
outer ring width:	27 mm
operating temperature range:	Maximum of +300 ° F
fillet radius:	2 mm
dynamic load capacity:	127 kN
series:	NJ3
static load capacity:	112 kN
d ₁	71.2 mm
D ₁	91.4 mm



NTN DRIVESHAFT ANDERSON, INC.

$r_{1,2}$ min.	2 mm
$r_{3,4}$ min.	2 mm
s max.	1.9 mm
d_a min.	60 mm
d_a max.	63 mm
d_b min.	73 mm
D_a max.	99.6 mm
r_a max.	2 mm
Basic dynamic load rating C	127 kN
Basic static load rating C_0	112 kN
Fatigue load limit P_u	15 kN
Calculation factor k_r	0.15
Limiting value e	0.2
Axial load factor Y	0.6
Mass bearing	1.17 kg
Angle ring	HJ 310 EC