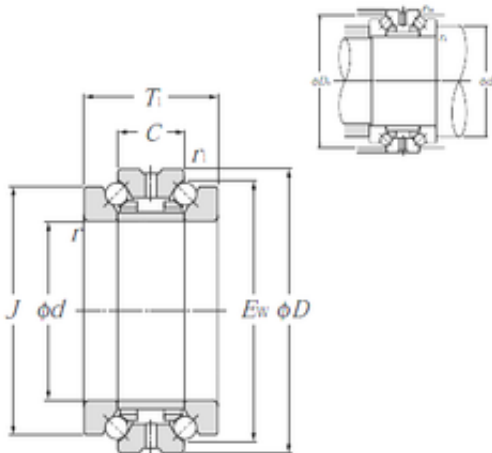




NTN DRIVESHAFT ANDERSON, INC.

NTN 562026M thrust ball bearings

Bearing No. 562026M



562026M Bearing 2D drawings and 3D CAD models

Bore Diameter	135 mm
Outer Diameter	182 mm
d	135 mm
D	200 mm
Ew	182 mm
T1	84 mm
C	42 mm
ra1 max.	1 mm
r min.	2 mm
r1 min.	1 mm
J	177 mm
da min.	155 mm
Da max.	192 mm
ra max.	2 mm
Weight	7,6 Kg
Basic dynamic load rating (C)	139 kN
Basic static load rating (C0)	460 kN
(Grease) Lubrication Speed	2 100 r/min