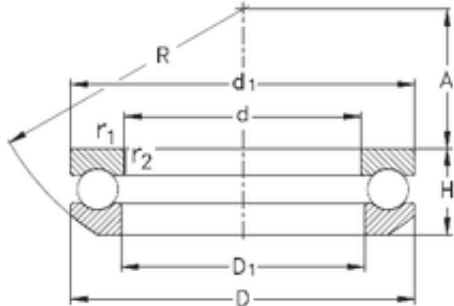




NTN DRIVESHAFT ANDERSON, INC.

NKE 53215 thrust ball bearings



Bearing No. 53215

Size	75x110x28.3 mm
Bore Diameter	75 mm
Outer Diameter	110 mm
Width	28,3 mm
d	75 mm
D	110 mm
H	28,3 mm
d1	110 mm
r1 min.	1 mm
r2 min.	1 mm
A	49 mm
D1	77 mm
R	90 mm
Weight	0,81 Kg
Basic dynamic load rating (C)	67 kN
Basic static load rating (C0)	170 kN

53215 Bearing 2D drawings and 3D CAD models