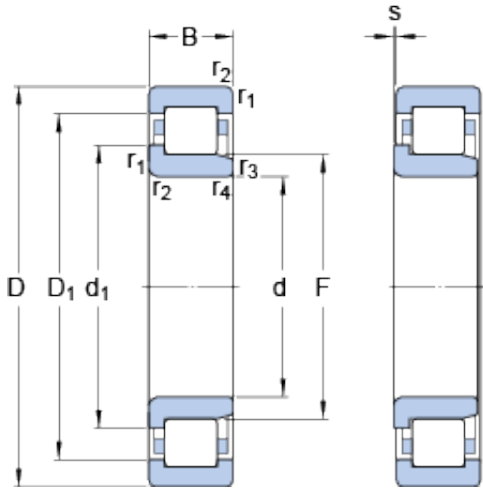




NTN DRIVESHAFT ANDERSON, INC.



95 mm x 170 mm x 32 mm SKF NJ 219 ECP thrust ball bearings

Bearing No. NJ 219 ECP

NJ 219 ECP Bearing 2D drawings and 3D CAD models

Size	170x95x32 mm
Bore Diameter	170 mm
Outer Diameter	95 mm
Width	32 mm
d	95 mm
D	170 mm
B	32 mm
d ₁	120 mm
D ₁	147.4 mm
F	112.5 mm
r _{1,2} - min.	2.1 mm
r _{3,4} - min.	2.1 mm
s	1.7 mm
d _a - min.	107 mm
d _a - max.	110 mm
d _b - min.	123 mm
D _a - max.	157.8 mm
r _a - max.	2 mm
Basic dynamic load rating - C	255 kN
Basic static load rating - C ₀	265 kN
Fatigue load limit - P _u	32.5 kN
Reference speed	4300 r/min
Limiting speed	4800 r/min
Calculation factor - k _r	0.15



NTN DRIVESHAFT ANDERSON, INC.

Category	Cylindrical Roller Bearings
Inventory	0.0
Manufacturer Name	SKF
Minimum Buy Quantity	N/A
Weight / Kilogram	2.983
EAN	7316577061188
Product Group	B04144
Bore Profile	Straight
Cage Material	Polymer
Precision Class	RBEC 1 ISO P0
Number of Rows of Rollers	Single Row
Separable	Inner Ring - One Side
Rolling Element	Cylindrical Roller Bearing
Profile	Complete with Outer and Inner Ring
Snap Ring	No
Internal Clearance	C0-Medium
Retainer	Yes
Relubricatable	Yes
Inch - Metric	Metric
Other Features	High Capacity 1 Rib Inner Ring 2 Rib Outer Ring Cage on Outer Ring ID
Long Description	95MM Bore; Straight Bore Profile; 170MM Outside Diameter; 32MM Width; Polymer Cage Material; RBEC 1 ISO P0; Single Row; Inner Ring - One Side Separable; No Snap Ring; Relubricatable; C0-Medium Inte
Category	Cylindrical Roller Bearing
UNSPSC	31171547
Harmonized Tariff Code	8482.50.00.00
Noun	Bearing



NTN DRIVESHAFT ANDERSON, INC.

Manufacturer URL	http://www.skf.com
Manufacturer Item Number	NJ 219 ECP
Weight / LBS	6.57
Width	1.26 Inch 32 Millimeter
Bore	3.74 Inch 95 Millimeter
Outside Diameter	6.693 Inch 170 Millimeter
bore diameter:	95 mm
precision rating:	RBEC 1 (ISO Class Normal)
outside diameter:	170 mm
maximum rpm:	4800 RPM
overall width:	32 mm
bearing material:	Steel
flanges:	(2) Outer Ring, (1) Inner Ring
cage material:	Polyamide
bore type:	Straight
finish/coating:	Uncoated
number of rows:	1
closure type:	Open
internal clearance:	C0
application:	Piston Type Machines, Rolling Mills, Spindles/Machine Tools
ring separation:	Separable Ring
outer ring width:	32 mm
operating temperature range:	Maximum of +300 ° F
fillet radius:	2 mm
dynamic load capacity:	255 kN
series:	NJ2
static load capacity:	265 kN
d ₁	120 mm
D ₁	147.4 mm



NTN DRIVESHAFT ANDERSON, INC.

$r_{1,2}$ min.	2.1 mm
$r_{3,4}$ min.	2.1 mm
s max.	1.7 mm
d_a min.	107 mm
d_a max.	110 mm
d_b min.	123 mm
D_a max.	157.8 mm
r_a max.	2 mm
Basic dynamic load rating C	255 kN
Basic static load rating C_0	265 kN
Fatigue load limit P_u	32.5 kN
Calculation factor k_r	0.15
Limiting value e	0.2
Axial load factor Y	0.6
Mass bearing	2.92 kg
Angle ring	HJ 219 EC