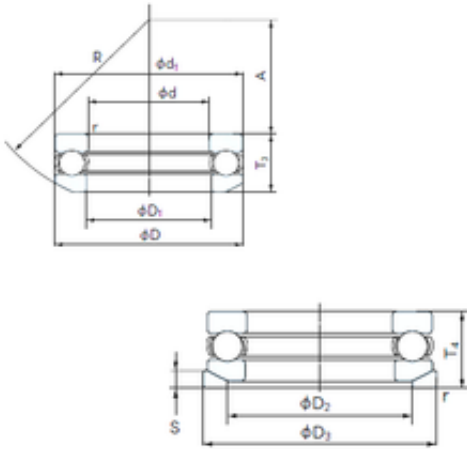




NTN DRIVESHAFT ANDERSON, INC.

NACHI 53252U thrust ball bearings

Bearing No. 53252U



53252U Bearing 2D drawings and 3D CAD models

Size	260x360x93 mm
Bore Diameter	260 mm
Outer Diameter	360 mm
Width	93 mm
d	260 mm
D	360 mm
T	93 mm
d1	355 mm
r min.	2.1 mm
A	152 mm
D1	264 mm
D2	305 mm
D3	370 mm
R	280 mm
S	30 mm
Weight	29.7 Kg
Basic dynamic load rating (C)	445 kN
Basic static load rating (C0)	1880 kN
(Grease) Lubrication Speed	550 r/min