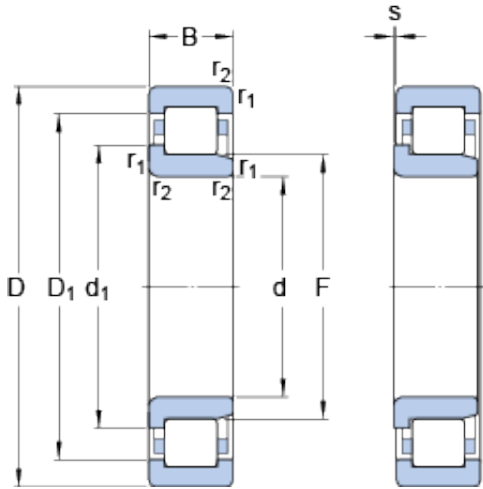




NTN DRIVESHAFT ANDERSON, INC.



420 mm x 520 mm x 75 mm SKF NJ 3884 MA thrust ball bearings

Bearing No. NJ 3884 MA

NJ 3884 MA Bearing 2D drawings and 3D CAD models

Size	520x420x75 mm
Bore Diameter	520 mm
Outer Diameter	420 mm
Width	75 mm
d	420 mm
D	520 mm
B	75 mm
d ₁	457 mm
D ₁	489 mm
F	447 mm
r _{1,2} - min.	2.1 mm
s	2.8 mm
d _a - min.	427 mm
d _a - max.	441 mm
d _b - min.	462 mm
D _a - max.	510 mm
r _a - max.	1.5 mm
Basic dynamic load rating - C	935 kN
Basic static load rating - C ₀	2240 kN
Fatigue load limit - P _u	193 kN
Reference speed	1100 r/min
Limiting speed	1600 r/min
Calculation factor - k _r	0.1
d ₁	457 mm



NTN DRIVESHAFT ANDERSON, INC.

D_1	489 mm
$r_{1,2}$ min.	2.1 mm
s max.	2.8 mm
d_a min.	427 mm
d_a max.	441 mm
d_b min.	462 mm
D_a max.	510 mm
r_a max.	1.5 mm
Basic dynamic load rating C	935 kN
Basic static load rating C_0	2240 kN
Fatigue load limit P_u	193 kN
Calculation factor k_r	0.1
Limiting value e	0.3
Axial load factor Y	0.4
Mass bearing	33 kg