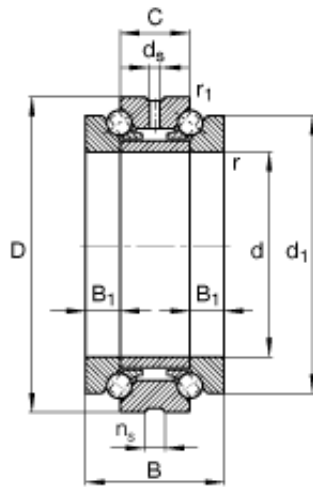




NTN DRIVESHAFT ANDERSON, INC.



95 mm x 145 mm x 60 mm FAG 234419-M-SP
thrust ball bearings

Bearing No. 234419-M-SP

234419-M-SP Bearing 2D drawings and 3D CAD models

Size	95x145x60 mm
Bore Diameter	95 mm
Outer Diameter	145 mm
Width	60 mm
d	95 mm
D	145 mm
B	60 mm
B ₁	15 mm
C	30 mm
D _a	135,5 mm / Tolerance: H12
d ₁	128 mm
d _a	115,5 mm / Tolerance: h12
d _s	4,8 mm
n _s	9,5 mm
r _{1 min}	0,3 mm
r _{a max}	1,5 mm
r _{a1 max}	0,3 mm
r _{min}	1,5 mm
	60 ° / Angle
m	2,55 kg / Weight
C _a	66000 N / Dynamic load rating (axial)
C _{0a}	219000 N / Static load rating (axial)



NTN DRIVESHAFT ANDERSON, INC.

$n_{G\text{ Fett}}$	4000 1/min / Limiting speed for grease lubrication
$n_{G\text{ Oil}}$	5300 1/min / Limiting speed for minimal quantity oil lubrication