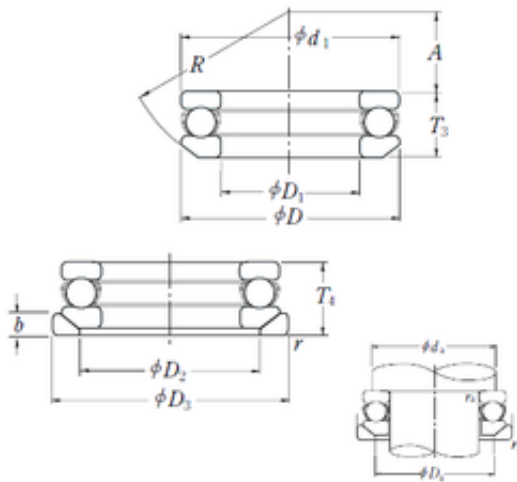




# NTN DRIVESHAFT ANDERSON, INC.

## NSK 53340XU thrust ball bearings

Bearing No. 53340XU



53340XU Bearing 2D drawings and 3D CAD models

Size	200x340x130 mm
Bore Diameter	200 mm
Outer Diameter	340 mm
Width	130 mm
d	200 mm
D	340 mm
T	130 mm
b	38 mm
d1	335 mm
r min.	4 mm
A	92 mm
D1	205 mm
D2	270 mm
D3	350 mm
R	250 mm
da min.	282 mm
Da max.	258 mm
ra max.	3 mm
Weight	54,8 Kg
Basic dynamic load rating (C)	600 kN
Basic static load rating (C0)	2220 kN
(Grease) Lubrication Speed	480 r/min
SRI	27.4
hidYobi	53340XU
LangID	1
D_	340



## NTN DRIVESHAFT ANDERSON, INC.

SREX	0.21
C	600
B_	130
hidTable	ecat_NSSDTB
Oil rpm	710
SRE	27.4
mass	54.8
GRS rpm	480
ra	3
SRIX	0.21
T4	130
D_3	350
D_a	258
SRIN	0
C0	2220
D_2	270
SREN	0
D_1	205
Prod_Type3	TB_SD_WASW
da	282
DA_	50.8
Z_	14
yobi	53340XU
A_	92
T3	118.4
SDM_	270
r	4
KBRG	513
R_	250