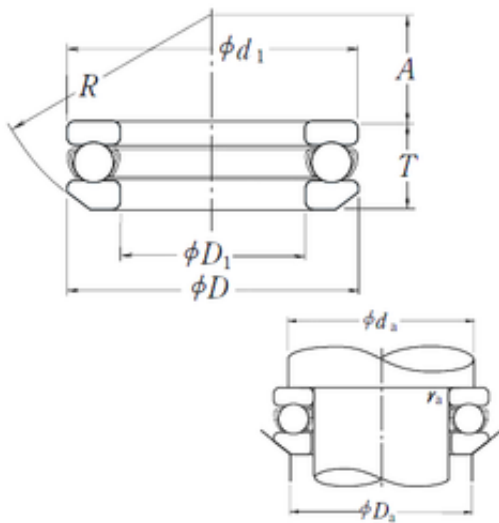




NTN DRIVESHAFT ANDERSON, INC.



NSK 53218 thrust ball bearings

Bearing No. 53218

Size	90x135x38.5 mm
Bore Diameter	90 mm
Outer Diameter	135 mm
Width	38,5 mm
d	90 mm
D	135 mm
T	38,5 mm
d1	135 mm
r min.	1,1 mm
A	45 mm
D1	93 mm
R	100 mm
da min.	117 mm
Da max.	108 mm
ra max.	1 mm
Weight	1,89 Kg
Basic dynamic load rating (C)	114 kN
Basic static load rating (C0)	310 kN
(Grease) Lubrication Speed	1400 r/min
Category	Thrust Ball Bearing
Inventory	0.0
Manufacturer Name	NSK
Minimum Buy Quantity	N/A
Weight / Kilogram	2.19
EAN	0029176413124
Product Group	B00308

53218 Bearing 2D drawings and 3D CAD models



NTN DRIVESHAFT ANDERSON, INC.

Rolling Element	Ball Bearing
Thrust Bearing	Yes
Single or Double Direction	Single Direction
Banded	No
Cage Material	Steel
Precision Class	Non-Precision
Component Description	Roller Assembly Plus Raceways
Other Features	Single Row With Aligning Seat
Long Description	90MM Bore 1; 93MM Bore 2; 135MM Outside Diameter; 39MM Height; Ball Bearing; Single Direction; Not Banded; Steel Cage; Non-Precision
Inch - Metric	Metric
Category	Thrust Ball Bearings
UNSPSC	31171552
Harmonized Tariff Code	8482.10.50.08
Noun	Bearing
Keyword String	Ball Thrust
Manufacturer URL	http://www.nskamericas.com
Weight / LBS	4.16674
Bore 2	3.661 Inch 93 Millimeter
Overall Height with Aligning Washer	0 Inch 0 Millimeter
Bore 1	3.543 Inch 90 Millimeter
Outside Diameter	5.315 Inch 135 Millimeter
Height	1.535 Inch 39 Millimeter
SRI	8.57
hidYobi	53218
LangID	1
D_	135



NTN DRIVESHAFT ANDERSON, INC.

SREX	0.065
C	114
B_	38.5
hidTable	ecat_NSSDTB
Oil rpm	2200
SRE	8.57
mass	1.89
GRS rpm	1400
ra	1
SRIX	0.065
D_a	108
SRIN	0
C0	310
SREN	0
D_1	93
Prod_Type3	TB_SD_WAS
da	117
DA_	15.875
Z_	20
yobi	53218
A_	45
T3	38.5
SDM_	112.5
r	1.1
KBRG	5121
R_	100