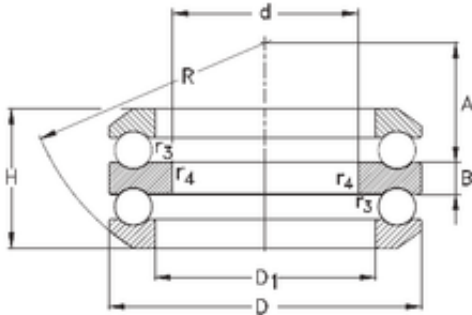




# NTN DRIVESHAFT ANDERSON, INC.

## 75 mm x 155 mm x 19 mm NKE 54318-MP thrust ball bearings



Bearing No. 54318-MP

Size	75x155x97.1 mm
Bore Diameter	75 mm
Outer Diameter	155 mm
Width	97,1 mm
d	75 mm
D	155 mm
H	97,1 mm
r1 min.	1,5 mm
r2 min.	1,5 mm
r3 min.	1 mm
r4 min.	1 mm
A	36,5 mm
B	19 mm
D1	93 mm
R	112 mm
Weight	6,86 Kg
Basic dynamic load rating (C)	196 kN
Basic static load rating (C0)	465 kN

54318-MP Bearing 2D drawings and 3D CAD models