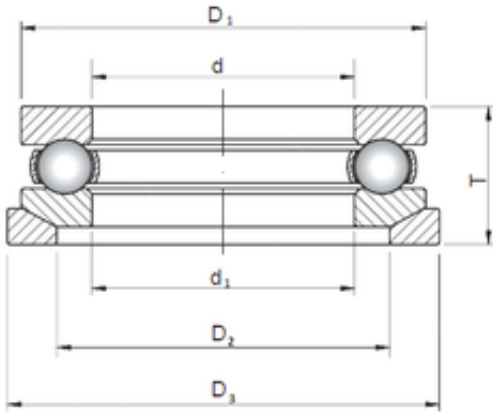




# NTN DRIVESHAFT ANDERSON, INC.

## ISO 53316U+U316 thrust ball bearings

Bearing No. 53316U+U316



Bore Diameter	80 mm
Outer Diameter	140 mm
d	80 mm
d1	82 mm
D	140 mm
D1	140 mm
T	52 mm
D2	110 mm
D3	145 mm

53316U+U316 Bearing 2D drawings and 3D CAD models