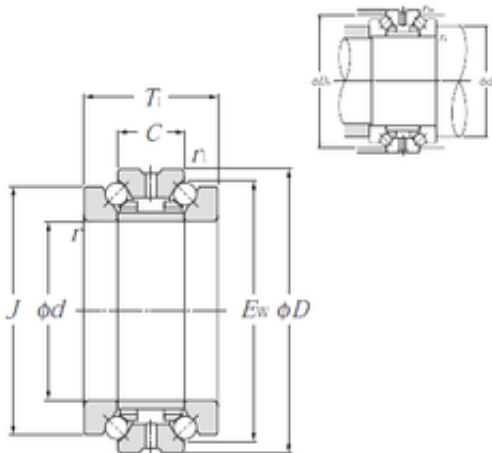




NTN DRIVESHAFT ANDERSON, INC.

NTN 562034M thrust ball bearings

Bearing No. 562034M



562034M Bearing 2D drawings and 3D CAD models

Bore Diameter	176 mm
Outer Diameter	236 mm
d	176 mm
D	260 mm
Ew	236 mm
T1	108 mm
C	54 mm
ra1 max.	1 mm
r min.	2,1 mm
r1 min.	1,1 mm
J	230 mm
da min.	203 mm
Da max.	250 mm
ra max.	2 mm
Weight	16,5 Kg
Basic dynamic load rating (C)	202 kN
Basic static load rating (C0)	735 kN
(Grease) Lubrication Speed	1 600 r/min