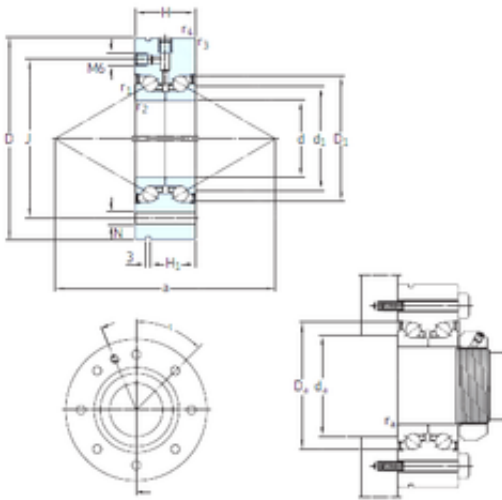




# NTN DRIVESHAFT ANDERSON, INC.

## SNFA BEAM 30/100/C 7P60 thrust ball bearings

Bearing No. BEAM 30/100/C 7P60



BEAM 30/100/C 7P60 Bearing 2D drawings and 3D CAD models

|                               |              |
|-------------------------------|--------------|
| Size                          | 30x100x38 mm |
| Bore Diameter                 | 30 mm        |
| Outer Diameter                | 100 mm       |
| Width                         | 38 mm        |
| d                             | 30 mm        |
| D                             | 100 mm       |
| H                             | 38 mm        |
| a                             | 106 mm       |
| d1                            | 51 mm        |
| r1 min.                       | 0,3 mm       |
| r2 min.                       | 0,3 mm       |
| r3 min.                       | 0,6 mm       |
| r4 min.                       | 0,6 mm       |
| D1                            | 65 mm        |
| H1                            | 30 mm        |
| J                             | 80 mm        |
| N                             | 8,8 mm       |
| Thread (G)                    | M8           |
| Bolt (G)                      | 8x45 °       |
| da max                        | 47 mm        |
| Da max.                       | 65 mm        |
| ra max.                       | 0,6 mm       |
| Weight                        | 1,65 Kg      |
| Basic dynamic load rating (C) | 60 kN        |
| Basic static load rating (C0) | 108 kN       |
| Fatigue load limit (Pu)       | 4            |



# NTN DRIVESHAFT ANDERSON, INC.