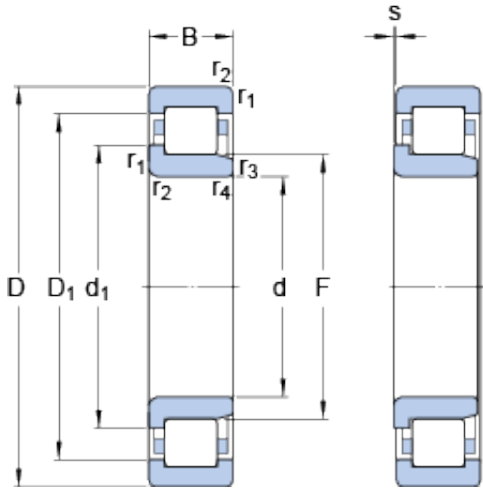




NTN DRIVESHAFT ANDERSON, INC.



200 mm x 420 mm x 80 mm SKF NJ 340 ECML thrust ball bearings

Bearing No. NJ 340 ECML

NJ 340 ECML Bearing 2D drawings and 3D CAD models

Size	420x200x80 mm
Bore Diameter	420 mm
Outer Diameter	200 mm
Width	80 mm
d	200 mm
D	420 mm
B	80 mm
d ₁	278 mm
D ₁	352.4 mm
F	258 mm
r _{1,2} - min.	5 mm
r _{3,4} - min.	5 mm
s	6 mm
d _a - min.	220 mm
d _a - max.	253 mm
d _b - min.	282 mm
D _a - max.	400 mm
r _a - max.	4 mm
Basic dynamic load rating - C	1230 kN
Basic static load rating - C ₀	1630 kN
Fatigue load limit - P _u	150 kN
Reference speed	1400 r/min
Limiting speed	2800 r/min
Calculation factor - k _r	0.23



NTN DRIVESHAFT ANDERSON, INC.

d_1	278 mm
D_1	352.4 mm
$r_{1,2}$ min.	5 mm
$r_{3,4}$ min.	5 mm
s max.	6 mm
d_a min.	220 mm
d_a max.	253 mm
d_b min.	282 mm
D_a max.	400 mm
r_a max.	4 mm
Basic dynamic load rating C	1230 kN
Basic static load rating C_0	1630 kN
Fatigue load limit P_u	150 kN
Calculation factor k_r	0.23
Limiting value e	0.2
Axial load factor Y	0.6
Mass bearing	56.3 kg