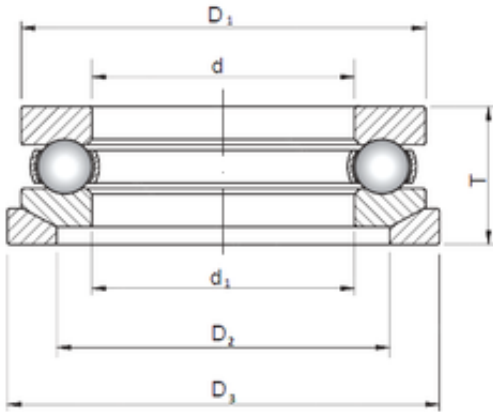




NTN DRIVESHAFT ANDERSON, INC.

ISO 53272U+U272 thrust ball bearings

Bearing No. 53272U+U272



Bore Diameter	360 mm
Outer Diameter	495 mm
d	360 mm
d1	365 mm
D	495 mm
D1	500 mm
T	130 mm
D2	430 mm
D3	510 mm

53272U+U272 Bearing 2D drawings and 3D CAD models